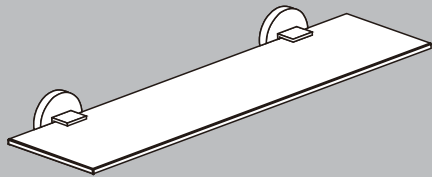


INSTRUCTIONS FOR MODELS


SA-1209



NEED HELP?

For additional assistance or service please contact:

SPEAKMAN® Company
400 Anchor Mill Road
New Castle, DE 19720

 800-537-2107

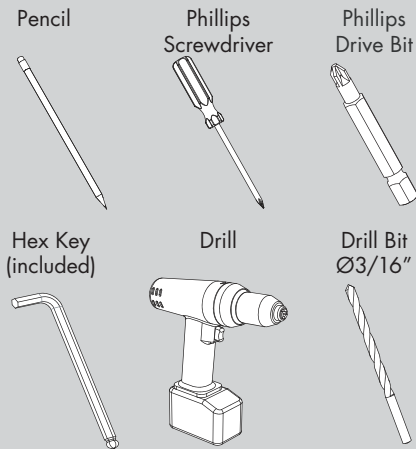
 customerservice@speakman.com

 www.speakman.com

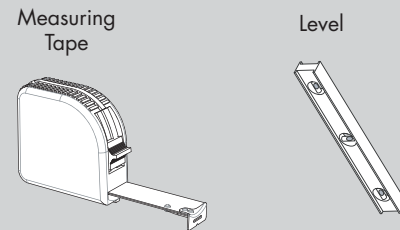
92-SA-1209-03

TOOLS AND SUPPLIES

REQUIRED TOOLS & SUPPLIES:



HELPFUL TOOLS & SUPPLIES:



SAFETY TIPS

Be sure to wear eye protection.

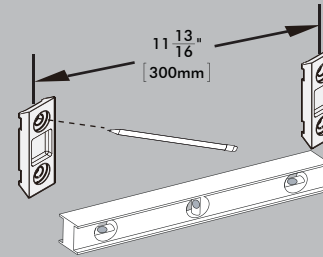
MAINTENANCE

Your new Speakman Product is designed for years of trouble-free performance. Keep it looking new by cleaning it periodically with a soft cloth. Avoid abrasive cleaners, steel wool, and harsh chemicals as these will dull the finish and void your warranty.

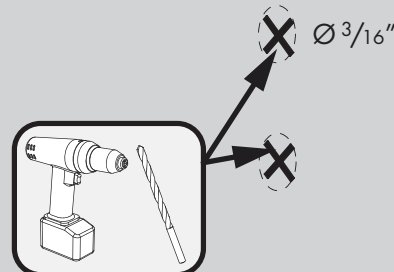
WARRANTY

Additional warranty information can be found at:
www.speakman.com

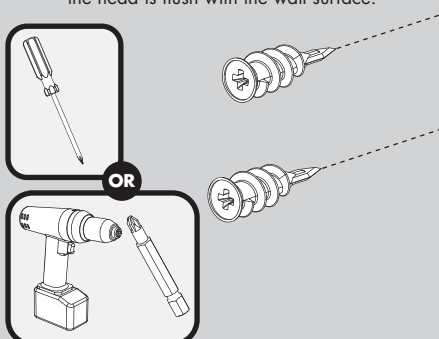
- 1** Place Mounting Plates into desired position, using a level to position them accordingly. Mark mounting hole locations with a pencil. Remove Mounting Plate from wall.



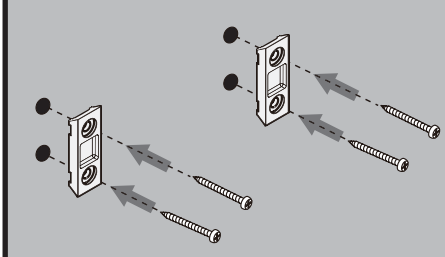
- 2** If mounting directly to wood stud, Plastic Anchors are not required. If mounting to tile, acquire proper mounting hardware capable of supporting the accessory in use. If mounting to drywall, drill guide holes at marked locations using a Drill equipped with a Ø3/16" bit.



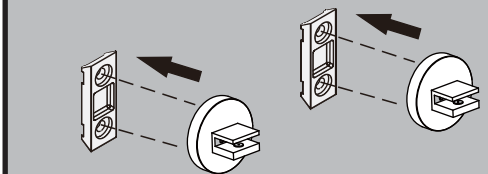
- 3** Insert Plastic Anchors into drilled holes and screw in the anchor using a Phillips Head screwdriver, or a Drill equipped with a Phillips Driver Bit until the head is flush with the wall surface.



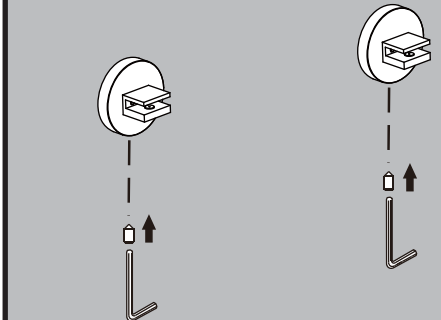
- 4** Insert screws through Mounting Plate and secure Mounting Plate to wall by tightening screws.



- 5** Place Bracket over Mounting Plate

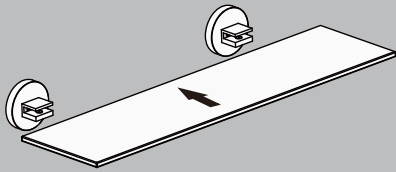


- 6** Secure Bracket by tightening set screw at bottom.



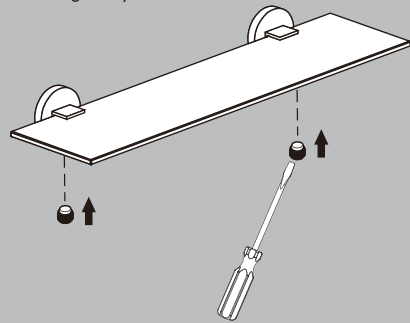
7

Insert glass shelf into C clips.



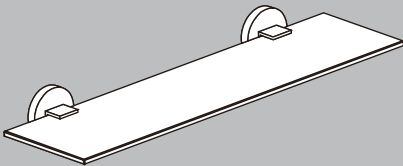
8

Secure Glass Shelf to Brackets using Set Screws. Ensure rubber cap is present on top surface of set screw. Tighten with Flat Tip Screwdriver. Take care to not over tighten or damage may occur.



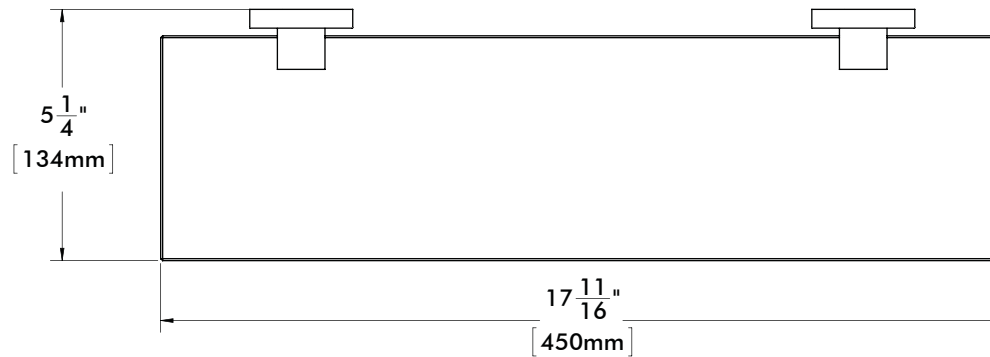
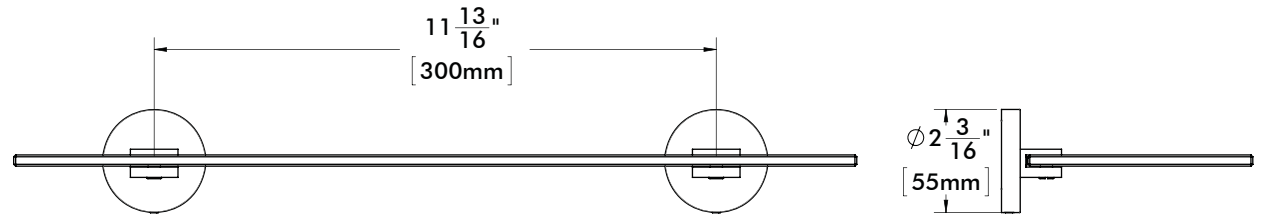
9

Installation Complete.



SA-1209 ROUGH-IN DIAGRAM

SPEAKMAN®



DIMENSIONS SUBJECT TO CHANGE WITHOUT NOTICE.